

FlatPanel Audio

LS212

High output dual 12-inch bass reflex subwoofer

Specifically designed to accompany and complement our DML500 and DML500A loudspeakers to create a true full range system

- High output subwoofer system, bass reflex port design employing asymmetrical acoustic chambers
- Can be used in single, dual, and quad configurations
- Scalable for multi-unit installations

Details that make it professional

- Professional 16-ply birch construction with wear-resistant polymer coating
- Two recessed handles for simplified handling and carrying
- Acetyl copolymer, high impact, low friction feet are located on the bottom to allow lock-in and easy cabinet movement

The LS212 is designed to seamlessly interface with our DML500 and DML500A distributed mode loudspeakers

This high output subwoofer delivers impressive, tight low frequencies that blend perfectly with our DML speakers, making it ideal for churches, clubs, performance venues, and other AV applications.

The secret is an asymmetrical chamber that focuses and synchronizes the two 12-inch direct radiating transducers. It enables the LS212 to produce high sound pressure levels with tight dynamics and musical reproduction of very low frequencies.

With its focused bass, the LS212 is an impressive complement to our 85Hz - 24kHz offerings

Two 12-inch woofers sport massive vented magnets and 3" epoxy-baked copper voice coils. Power handling is a robust 2400W peak and 800W continuous.

Applications: fixed installations such as:

Churches
Educational facilities
Gymnasiums
Performing arts centers
Government facilities
Immersive venues

Accessories

FlatPanel Audio manufactures a variety of accessories and installation solutions for the LS212, allowing for seamless system integration.



LS212 system (single)

Frequency range (-10dB) 40Hz – 300Hz

Frequency response (-6dB) 45Hz – 120Hz

System sensitivity 97 dB

Rated maximum SPL 130dB (peak)

System nominal impedance 4 ohms

Power handling

Continuous /Program /Peak 800W/1600W/2400W

Suggested high pass filter 40Hz Butterworth 4th order

Suggested low pass filter 110 – 130Hz (user defined)

Drivers

Low frequency transducers 12-inch x 2

Voice coil diameter 75 mm

Voice coil winding wire Copper-clad aluminum

Magnetic motor Neodymium

Design

Design principle Asymmetrical dual chamber band pass 6th order

Hardware attachment

Internal M10"L"brackets 16 locations

Pole mount Top mount M20

Physical

Outer dimensions (H x W x D) 27 in x 15 in x 24 in
676 mm x 378 mm x 605 mm

Weight 70 lbs / 31.75 kg

Shipping dimensions (H x W x D) 31.5 in x 21 in x 33 in
850 mm x 533 mm x 840 mm

Shipping weight 93 lbs / 42.3 kg

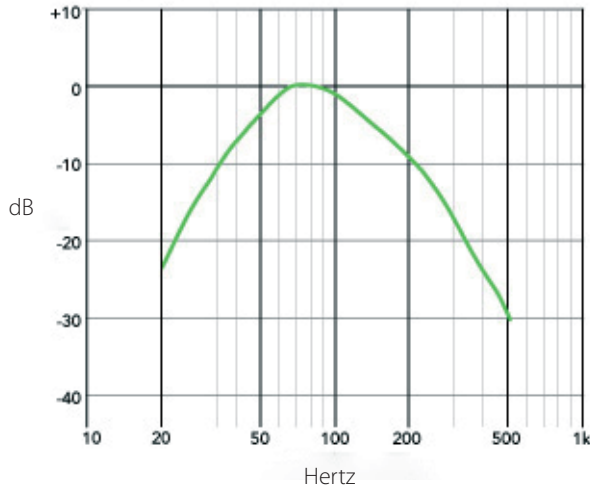
FlatPanel Audio continually engages in research related to product improvement. Specifications are subject to change without notification.

FlatPanel Audio LS212

High output dual 12-inch bass reflex subwoofer

Frequency response

Measured using ground plane technique, microphone placed at 2 meters.



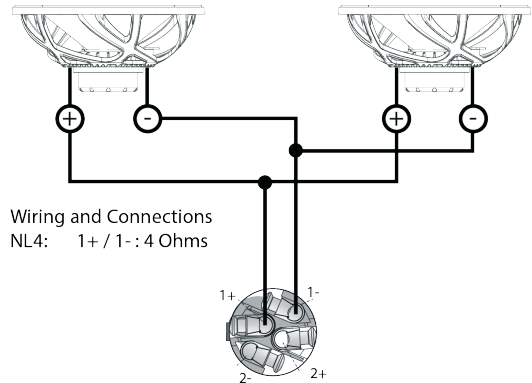
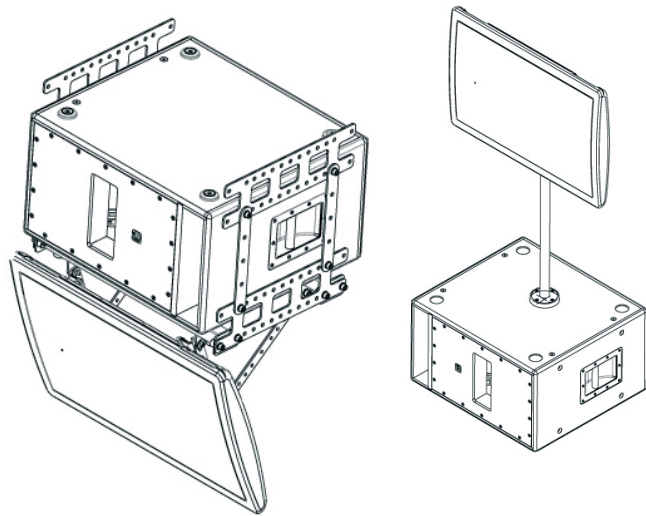
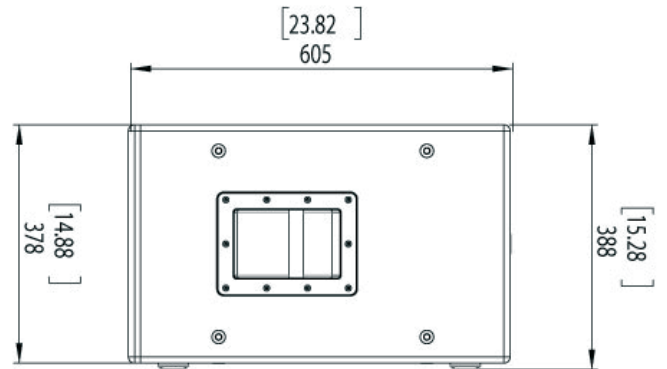
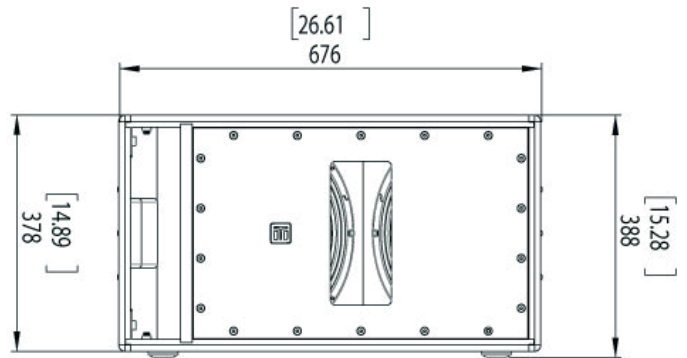
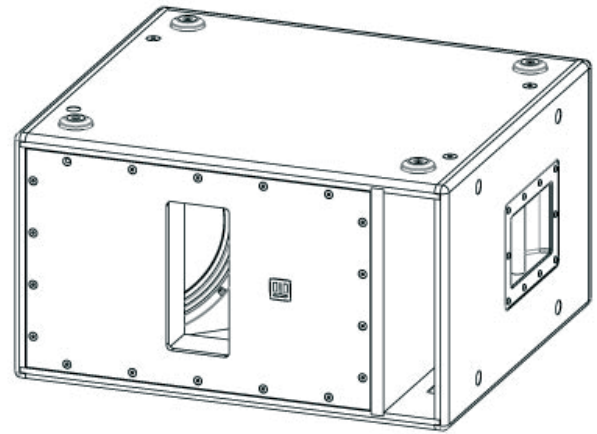
Suggested filtering/crossover

The following are the initial acoustic filters as implemented for the LS212 ground plane measurement:

High pass – Butterworth 4th order (24 dB) @ 40Hz

Peaking filter – 40Hz / Q of 1.2 / Gain of 5 dB

Low pass filter – Butterworth 4th order (24 dB) @ 110Hz



Accessories

FlatPanel Audio manufactures a variety of accessories and installation solutions for the LS212, allowing for seamless system integration.



FlatPanel Audio, LLC
350 West Main Street, Unit C
Los Gatos, CA 95030 USA
408.457.4371
www.FlatPanelAudio.com